



STRATO
GLOBAL SOURCING & PARTNERSHIPS

Flooring Accessories Catalog

The Complete System Solution

Precision Fit · Seamless Performance

UNSEEN BEAUTY.

Where Walls Meet Floors, Perfection Begins.

Accessories are customizable in all sizes and colors.



SPC Quarter Round

Packing: 20pcs/ctn
Item size: 2400×28×15mm

The 1/4 rounded line completely combines the floor with the wall, similar to the use of the corner board. The color can match the floor exactly.

Flush Fit, Perfect Trip.

The Invisible Edge for Effortless Steps.

Accessories are customizable in all sizes and colors.



SPC Scotias

Packing: 30pcs/ctn
Item size: 2400×25×15mm

Flush stair nose provides an appropriate transition between steps at all levels.

Smooth Transitions, Perfect Connections

Bridge the Gap with Strength

Floor accessories can be customized in size and color



SPC T-Molding

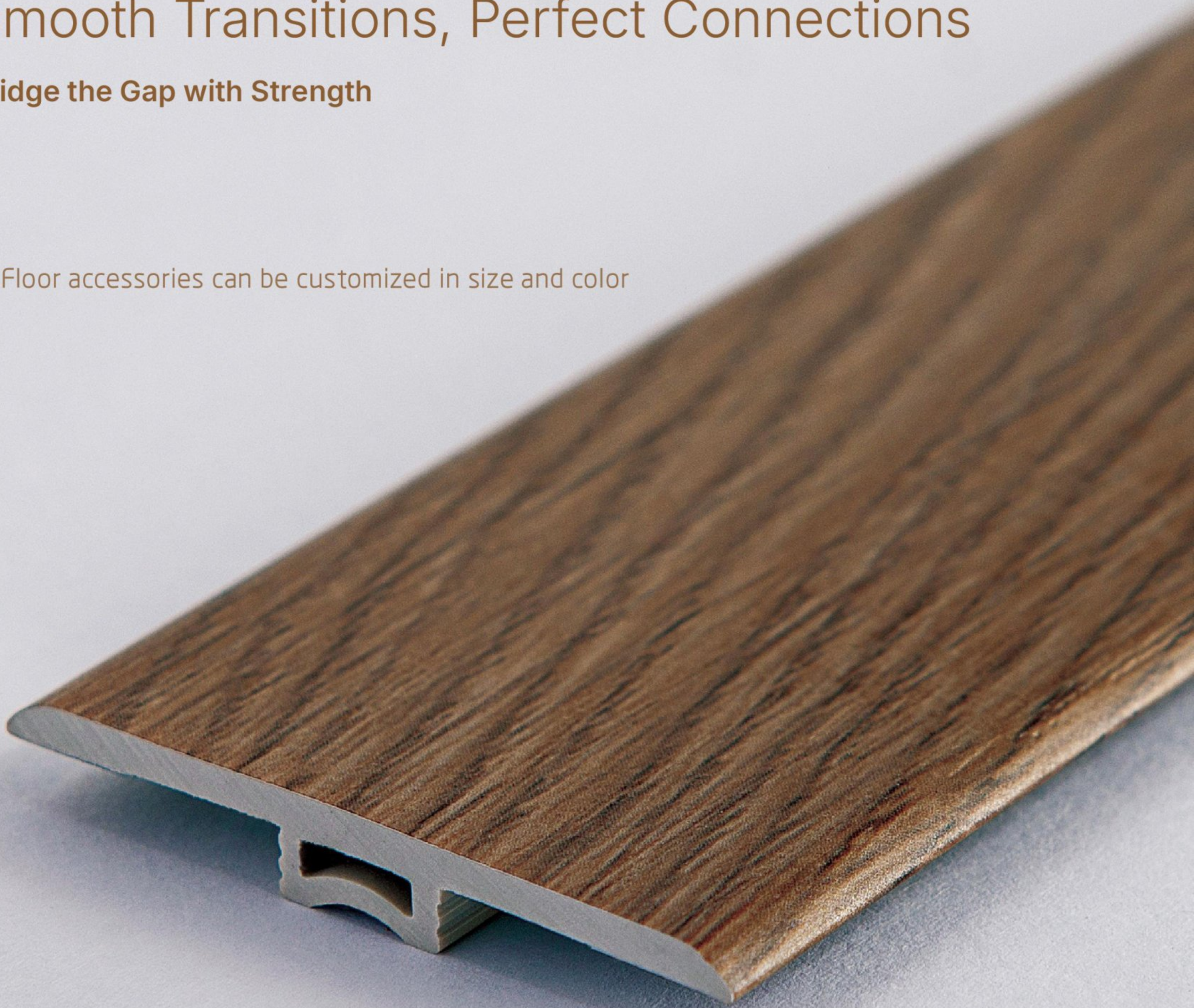
Packing: 20pcs/ctn
Item size: 2400×45×7mm

T-molding between the same height flooring , keeping them looking much more beautiful, simple and convenient.

Smooth Transitions, Perfect Connections

Bridge the Gap with Strength

Floor accessories can be customized in size and color



SPC T-Molding

Packing: 30pcs/ctn
Item size: 2400×35×7mm

T-molding between the same height flooring, keeping them looking much more beautiful, simple and convenient.

From High to Low, Seamlessly Smooth

The Perfect Finish for Height Differences

Floor accessories can be customized in size and color



SPC Reducer

Packing: 20pcs/ctn
Item size: 2400×45×8mm

Reducers, which are like stairs and usually used for different heights, can protect your flooring very well. Colors can match the floor perfectly.

From Tile to Carpet, One Reducer Fits All

Shield Edges, Bridge Surfaces – Tough & Trusted SPC Reducer

Floor accessories can be customized in size and color



SPC End Cap

Packing: 20pcs/ctn
Item size: 2400×35×8mm

As a kind of reducer, it is usually used between flooring and other surface materials, such as carpet and tile.

Smooth Transitions, Perfect Connections

Bridge the Gap with Strength

Floor accessories can be customized in size and color



Multi Propose Reducer

Packing: 20pcs/ctn
Item size: 2400×50×7mm

T-molding between the same height flooring, keeping them looking much more beautiful, simple and convenient.

Flawless Flow for Every Stair

Where Safety Meets Style

Floor accessories can be customized in size and color

SPC Stair Nose

Packing: 20pcs/ctn
Item size: 2400×50×26mm

SPC Stair Nose provides an appropriate transition between steps at all levels.

Flawless Flow for Every Stair

Where Safety Meets Style

Floor accessories can be customized in size and color

SPC Stair Nose

Packing: 10pcs/ctn
Item size: 2400×55×18mm

SPC Stair Nose provides an appropriate transition between steps at all levels.

Snap It, Step It, Love It Effortless Stair Nose Installation!

Bridging Steps with Style – Seamless & Sturdy!

Floor accessories can be customized in size and color

SPC Flush Stair Nose

Packing: 10pcs/ctn
Item size: 2400×72×25mm

Stair Nose provides an appropriate transition between steps at all levels, it can connect with flooring click well.

Perfect Fit, Superior Grip The Ultimate SPC Stair Edge Solution

Protect & Perfect – SPC Flush Stair Nose, *Where Safety Meets Elegance.*

Floor accessories can be customized in size and color

SPC Square Flush Stair Nose

Packing: 10pcs/ctn
Item size: 2400×115×35mm

Stair Nose provide an appropriate transition between steps at all levels,It can connect with flooring click well.

Hidden Guardian, Visible Style

The Wall Base That Does It All

Floor accessories can be customized in size and color



SPC Skirting

Packing: 10pcs/ctn
Item size: 2400×60×12mm

Wall base usually helps to connect the flooring and wall together. Keep your room looking more harmonious and holistic.

Hidden Guardian, Visible Style

The Wall Base That Does It All

Floor accessories can be customized in size and color



SPC Skirting

Packing: 10pcs/ctn
Item size: 2400×60×15mm

Wall base usually helps to connect the flooring and wall together. Keep your room looking more harmonious and holistic.

Hidden Guardian, Visible Style

The Wall Base That Does It All

Floor accessories can be customized in size and color



SPC Skirting

Packing: 10pcs/ctn
Item size: 2400×70×15mm

Wall base usually helps to connect the flooring and wall together. Keep your room looking more harmonious and holistic.

Hidden Guardian, Visible Style

The Wall Base That Does It All

Floor accessories can be customized in size and color



SPC Skirting

Packing: 10pcs/ctn
Item size: 2400×80×12mm

Wall base usually helps to connect the flooring and wall together. Keep your room looking more harmonious and holistic.

Hidden Guardian, Visible Style

The Wall Base That Does It All

Floor accessories can be customized in size and color



SPC Skirting

Packing: 10pcs/ctn
Item size: 2400×80×15mm

Wall base usually helps to connect the flooring and wall together. Keep your room looking more harmonious and holistic.

Hidden Guardian, Visible Style

The Wall Base That Does It All



Floor accessories can be customized in size and color

SPC Skirting

Packing: 10pcs/ctn
Item size: 2400×90×15mm

Wall base usually helps to connect the flooring and wall together. Keep your room looking more harmonious and holistic.

Hidden Guardian, Visible Style

The Wall Base That Does It All



Floor accessories can be customized in size and color

SPC Skirting

Packing: 10pcs/ctn
Item size: 2400×100×15mm

Wall base usually helps to connect the flooring and wall together. Keep you room looking more harmonious and holistic.

Elevate Your Stairs Seamless & Secure with SPC Square Treads.

From Floor to Stair, Flawlessly Fair



Floor accessories can be customized in size and color

SPC Square Stair Tread

Packing: 4pcs/ctn
Item size: 1200×300×35mm

Square Flush Stair Nose provides an appropriate transition between steps at all levels.

From Floor to Stair – One Smooth Solution

Flooring That Flows, Safety That Stays

Floor accessories can be customized in size and color

SPC Square Stair Tread

Packing: 4pcs/ctn

Item size: 1200×300×35mm

Stair tread provides an appropriate transition between steps at all levels, It can take place of flooring to be used on steps.

From Floor to Stair – One Smooth Solution

Flooring That Flows, Safety That Stays



Floor accessories can be customized in size and color

SPC Square Stair Tread

Packing: 4pcs/ctn

Item size: 1200×300×40mm

1200×300×50mm

Stair tread provides an appropriate transition between steps at all levels, It can take place of flooring to be used on steps.

From Floor to Stair – One Smooth Solution

Flooring That Flows, Safety That Stays

Floor accessories can be customized in size and color

SPC Square Stair Tread

Packing: 4pcs/ctn
Item size: 1200×325×47mm

Stair tread provides an appropriate transition between steps at all levels, It can take place of flooring to be used on steps.

Seamless Transitions, Elegant Finishes for Every Space

Smooth Connections, Lasting Perfection

Floor accessories can be customized in size and color



WPC Quarter Round

Packing: 20pcs/ctn
Item size: 2400×28×15mm

The 1/4 rounded line completely combines the floor with the wall, similar to the use of the corner board. The color can match the floor exactly.

From Floor to Stair, Perfection Everywhere

Perfectly Level Transitions for Flawless Stairs

Floor accessories can be customized in size and color



WPC Scotias

Packing: 30pcs/ctn
Item size: 2400×28×15mm

Flush stair nose provides an appropriate transition between steps at all levels.

Smooth Transitions, Perfect Connections

Bridge the Gap with Strength

Floor accessories can be customized in size and color



WPC T-Molding

Packing: 20pcs/ctn
Item size: 2400×45×7mm

T-molding between the same height flooring, keep them looking much more beautiful, simple and convenient.

Smooth Transitions, Perfect Connections

Bridge the Gap with Strength

Floor accessories can be customized in size and color



WPC T-Molding

Packing: 30pcs/ctn
Item size: 2400×35×7mm

T-molding between the same height flooring, keep them looking much more beautiful, simple and convenient.

From Tile to Carpet, One Reducer Fits All

Shield Edges, Bridge Surfaces – Tough & Trusted SPC Reducer

Floor accessories can be customized in size and color



WPC End Cap

Packing: 20pcs/ctn
Item size: 2400×35×8mm

As a kind of reducer, it is usually used between flooring and other surface materials, such as carpet and tile.

Flawless Flow for Every Stair

Where Safety Meets Style

Floor accessories can be customized in size and color

WPC Stair Nose

Packing: 10pcs/ctn
Item size: 2400×55×18mm

WPC Stair Nose provides an appropriate transition between steps at all levels.

Smooth Transitions, Perfect Connections

Bridge the Gap with Strength

Floor accessories can be customized in size and color



WPC L Shape

Packing: 30pcs/ctn
Item size: 2400×21×11mm

Decorate the space between the wall and the floor, as end cap.

Hidden Guardian, Visible Style

The Wall Base That Does It All

Floor accessories can be customized in size and color



WPC Skirting

Packing: 10pcs/ctn
Item size: 2400×60×12mm

Wall base usually helps to connect the flooring and wall together keep you room looking more harmonious and holistic.

Flawless Flow for Every Stair

Where Safety Meets Style

Floor accessories can be customized in size and color

WPC Flush Stairnose

Packing: 10pcs/ctn
Item size: 2400×72×25mm

Stair Nose provides an appropriate transition between steps at all levels. It can connect with flooring click well.

Flawless Flow for Every Stair

Where Safety Meets Style

Floor accessories can be customized in size and color

WPC Flush Stairnose

Packing: 10pcs/ctn
Item size: 2400×115×25mm

Stair Nose provides an appropriate transition between steps at all levels. It can connect with flooring click well.

Flawless Flow for Every Stair

Where Safety Meets Style

Floor accessories can be customized in size and color

WPC Flush Stairnose

Packing: 10pcs/ctn
Item size: 2400×115×35mm

WPC Stair Nose provides an appropriate transition between steps at all levels.

Step Beyond Flooring WPC Treads Built for Stairs

Smooth transitions, secure footing—ideal for any level, any home.



Floor accessories can be customized in size and color

WPC Square Stair Tread

Packing: 4pcs/ctn

Item size: 1200×300×30mm

Stair tread provides an appropriate transition between steps at all levels, It can take place of flooring to be used on steps.



MARKETING COLLATERALS

Empower Your Growth – Anywhere, Everywhere

Elite Tools for Disruptive Growth

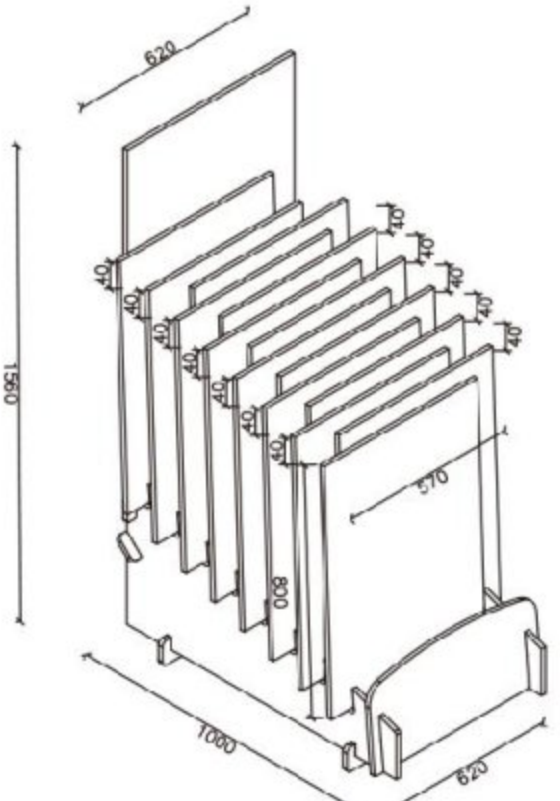
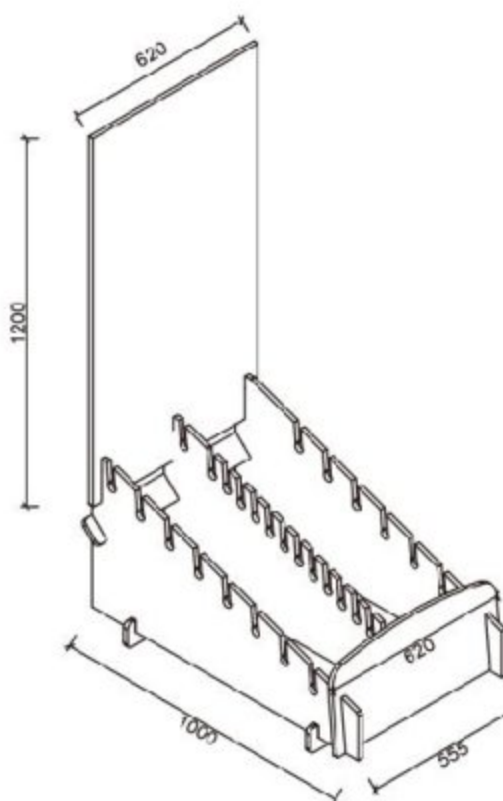
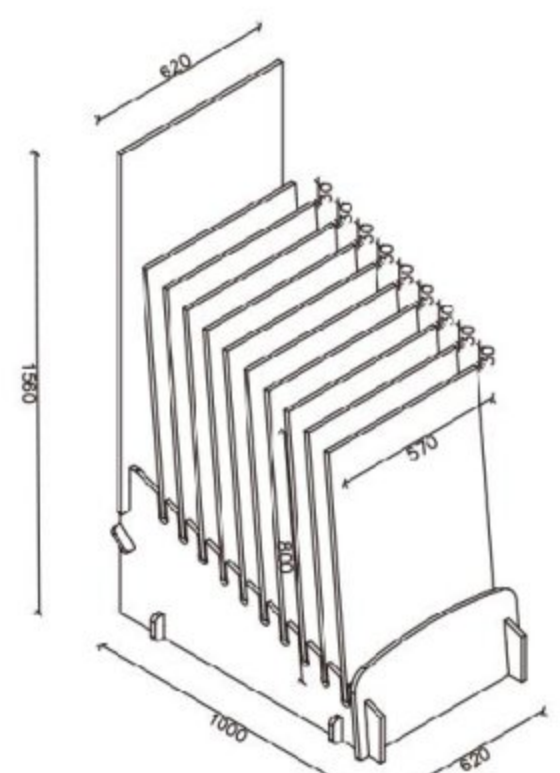
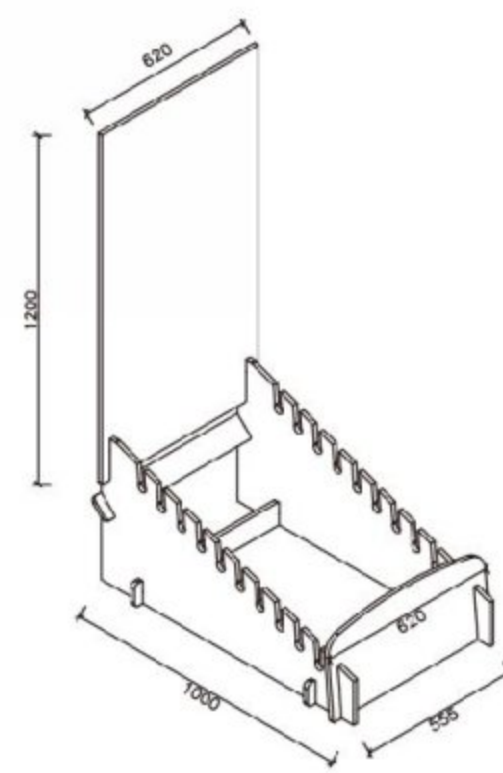
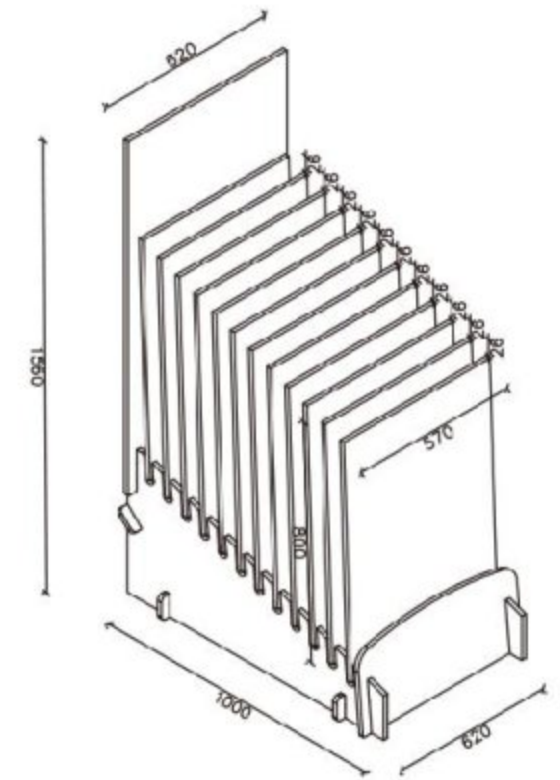
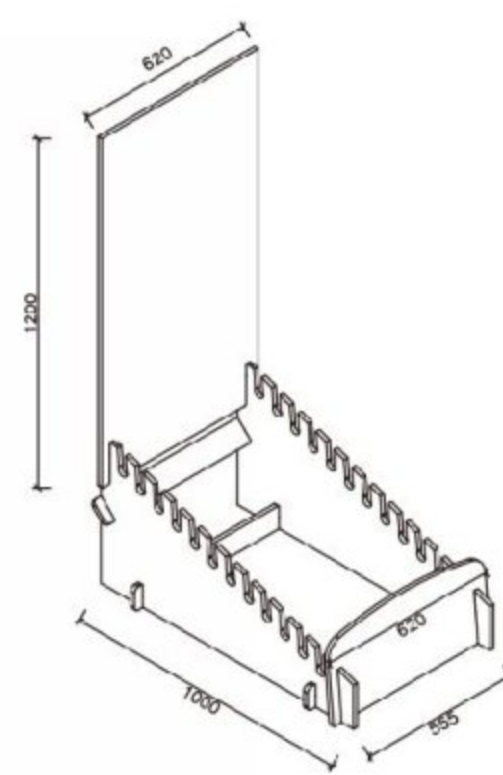
STRAP SETS & Sample Folder

We accept product customization



DISPLAY BOARDS & STAIR STEP STANDS

We accept product customization



Technical Data Sheet

Product name	Skirting
Material	100% virgin PVC+Calcium calcite powder
Package	10pcs/box (20pcs/box, 25pcs/box)
Finish	UV coating
Reaction to Fire	Bf1-S1
Dimensional Stability	<0.05%
Peel Resistance	>90n/50mm
Curling After Exposure to Heat	0.0mm
Colour Fastness to Light	6
Core	100-1100
Wearlayer	0.1mm